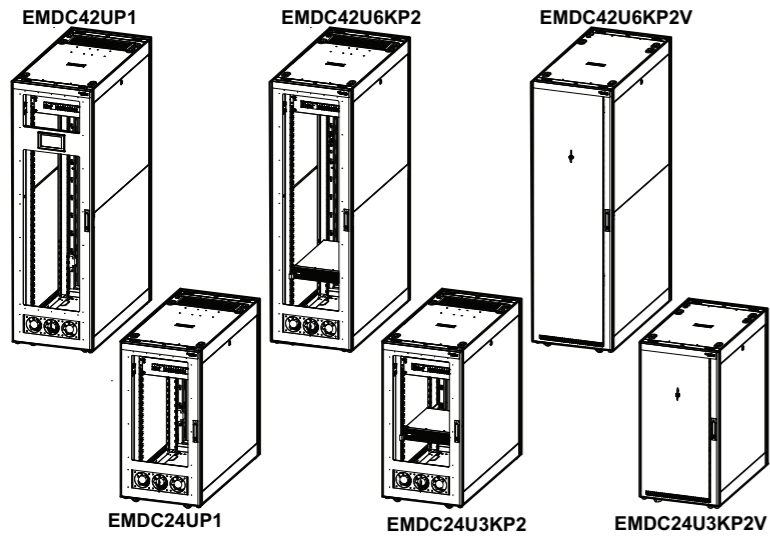




Easy Micro Data Center C-Series and S-Series

Unpacking Sheet



IMPORTANT SAFETY INSTRUCTIONS

⚠ CAUTION

HEAVY EQUIPMENT HAZARD

- Do NOT attempt to move the MDC without assistance. Use at least two people when removing the unit from its pallet. Use a pallet jack or forklift to move the rack while it is still on its shipping pallet. Unload on a level floor only.
- Use caution when moving the MDC on its casters.
- Push the MDC from the front or back to move it
- Wear appropriate personal protective equipment (PPE) and follow safe work practices.

Failure to follow these instructions can result in injury or equipment damage.

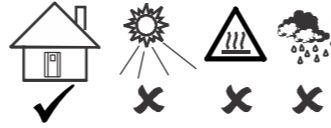
Receiving

Inspect the exterior packaging

Before unpacking the shipment, verify that the shipping label matches the bill of lading and carefully inspect the exterior of the shipment immediately upon receipt.

Inspect the Equipment

Once you have unpacked the MDC, carefully inspect it for visible signs of shipping damage. If you detect shipping damage, contact your shipping company and Schneider Electric Customer Support at www.se.com.



The MDC should be stored indoors and out of the weather. Do not allow the MDC to be exposed to the elements.

NOTICE

Leaving the MDC uncovered and exposed to the elements will cause damage and void the factory warranty.

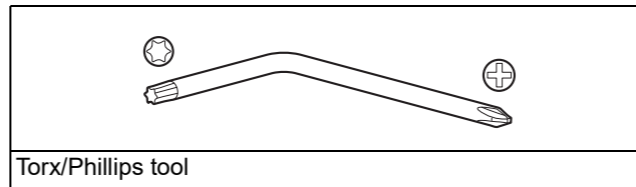


Recycle or dispose of the packaging materials appropriately.

Tools Required

Provided

The Torx/Phillips tool is located in the hardware bag inside the MDC.

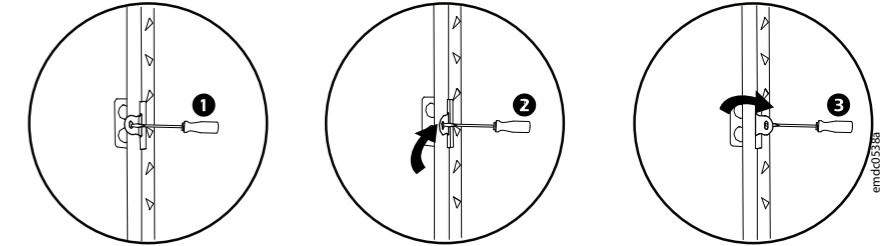
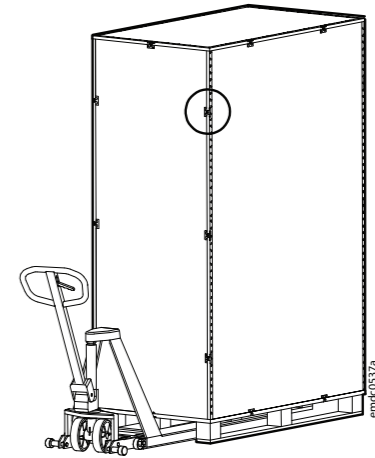


Not Provided

Flat tip screwdriver	Box cutter
Ladder	Pallet jack
Pliers	13-mm open end wrench

Unpacking

Use a pallet jack or forklift to move the MDC while it is on its pallet.



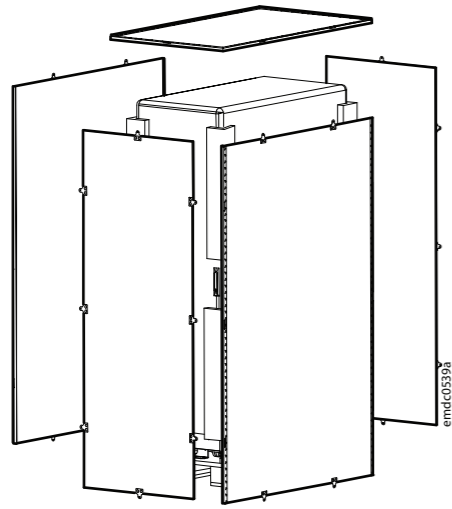
Use a flat tipped screwdriver to pry the tabs on the container open to unlatch the clasps.

9/2021

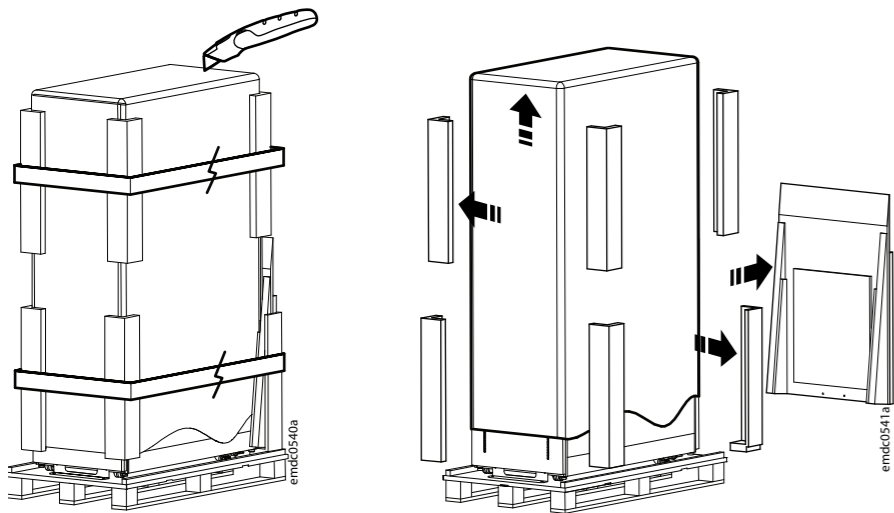
990-91519A

© 2021 Schneider Electric. All rights reserved.

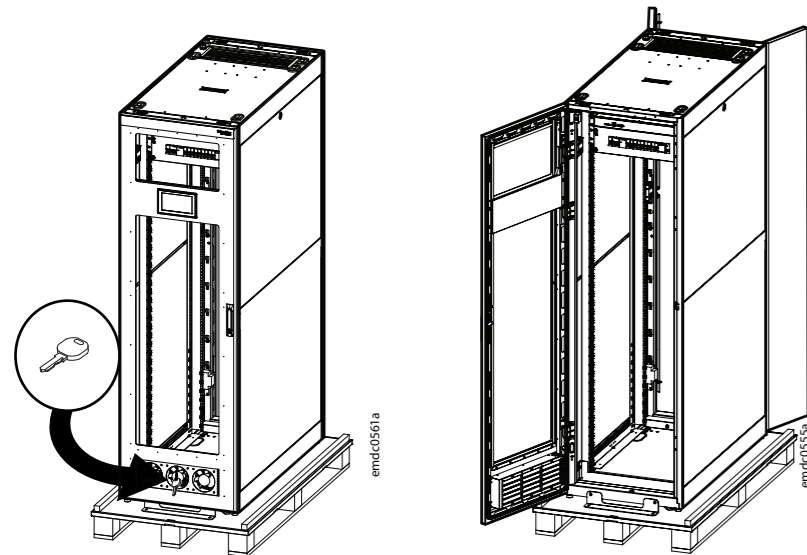
Remove the container panels.



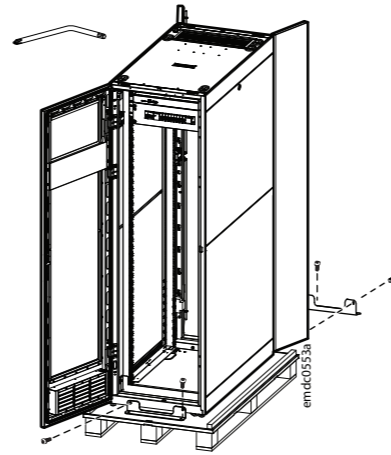
Use scissors or a box cutter to cut through the straps securing the foam packaging on the corners of the rack. Remove the foam corner protection and the plastic covering the MDC.



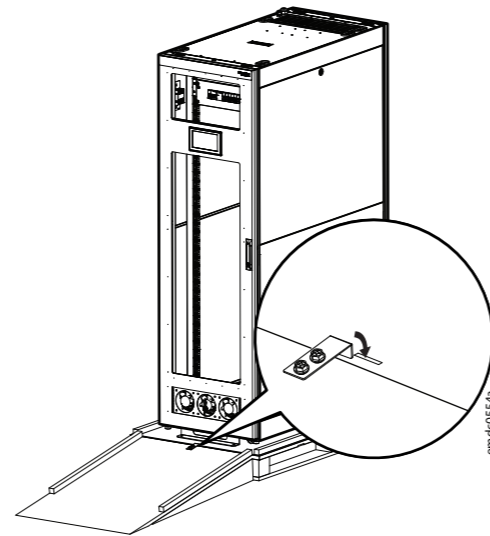
The key to open the doors is affixed to the front door with a zip tie. Remove the key and unlock the front and rear doors.



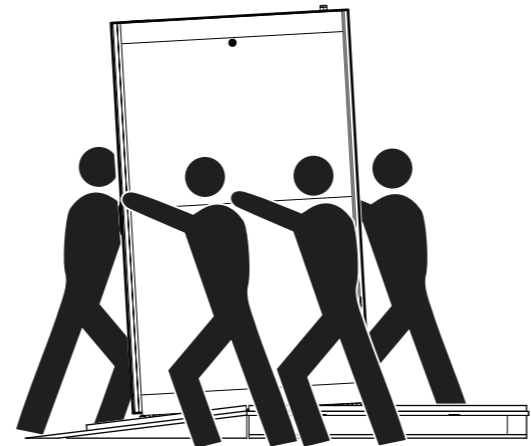
Use the Torx/Phillips tool (found inside in the hardware bag) to remove the Torx head screws securing the brackets to the pallet and the MDC.



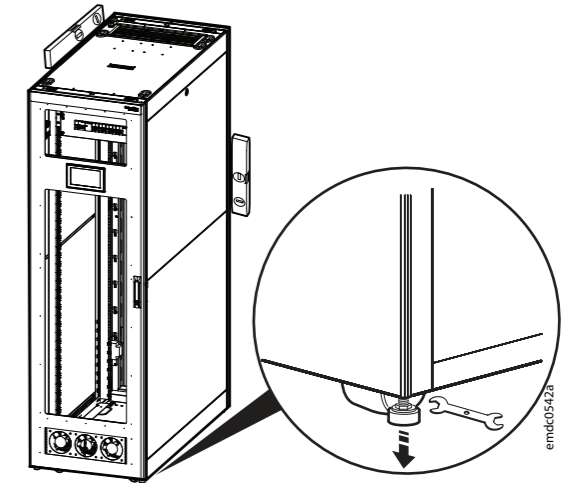
Position the ramp in front of the pallet and to the pallet by inserting the end of the bracket into the slot in the pallet.



Roll the MDC down the ramp. The MDC is very heavy. At least two (2) people are recommended to move the 24U MDC from the pallet and four (4) people to move the 42U MDC.



Use a level and a 13-mm open-ended wrench to lower the leveling feet. Lower the leveling feet if the MDC will remain stationary and unattended for any length of time. When the MDC has been moved to its final location, lower the feet and level the unit.



Specifications

SKU	Description	Package (with Pallet) Dimensions Width x Depth x Height mm (in.)	Weight / Shipping Weight kg (lbs)
EMDC42UP1	Easy Micro Data Center C-Series, 42U Contained, with Touch-screen LCD	800 x 1400 x 2180 (31.49 x 55.11 x 85.82)	173 (381.4) / 250 (551.2)
EMDC24UP1	Easy Micro Data Center C-Series, 24U Contained	800 x 1400 x 1390 (31.49 x 55.11 x 54.72)	128 (282.2) / 192 (423.3)
EMDC42U6KP2	Easy Micro Data Center C-Series, 42U Contained, With 6kVA Power Module	800 x 1400 x 2180 (31.49 x 55.11 x 85.82)	188 (414.5) / 265 (584.2)
EMDC42U6KP2V	Easy Micro Data Center S-Series, 42U Ventilated, With 6kVA Power Module	800 x 1400 x 2180 (31.49 x 55.11 x 85.82)	150 (330.7) / 227 (500.4)
EMDC24U3KP2	Easy Micro Data Center C-Series, 24U Contained, With 3kVA Power Module	800 x 1400 x 1390 (31.49 x 55.11 x 54.72)	140 (308.6) / 206 (454.2)
EMDC24U3KP2V	Easy Micro Data Center S-Series, 24U Ventilated, With 3kVA Power Module	800 x 1200 x 1390 (31.49 x 47.24 x 54.72)	99 (218.3) / 163 (359.4)